

Division of Water Phone Numbers:

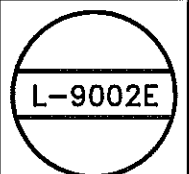
Backflow Compliance	645-6674
Customer Service (Meter Installation)	645-8220
Permit Office (Inspection of 3/4" thru 2" Service Lines)	645-7330

L-9002E.Dwg Revision Date: 4/30/13

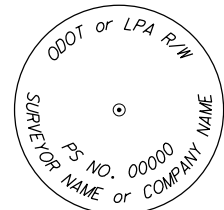
CITY OF COLUMBUS
DEPARTMENT OF PUBLIC UTILITIES
DIVISION OF WATER

APPROVED:
RC Westerfield 5-16-13
ADMINISTRATOR DATE

STANDARD DETAIL
SCHEMATIC DRAWING OF
5/8" THRU 1" METER
WITH BACKFLOW PREVENTER



CAP DESIGN



DESIGN 1



DESIGN 2

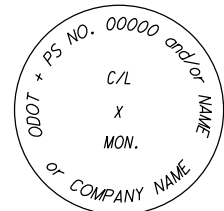


DESIGN 3



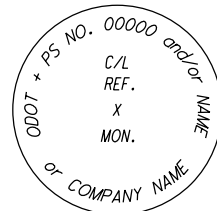
DESIGN 4

2" MIN. DIA.
ALUMINUM CAPS
PLAN VIEW



+DESIGN 5

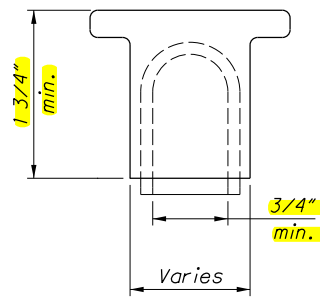
3" MIN. DIA.
ALUMINUM CAP
PLAN VIEW



+DESIGN 6

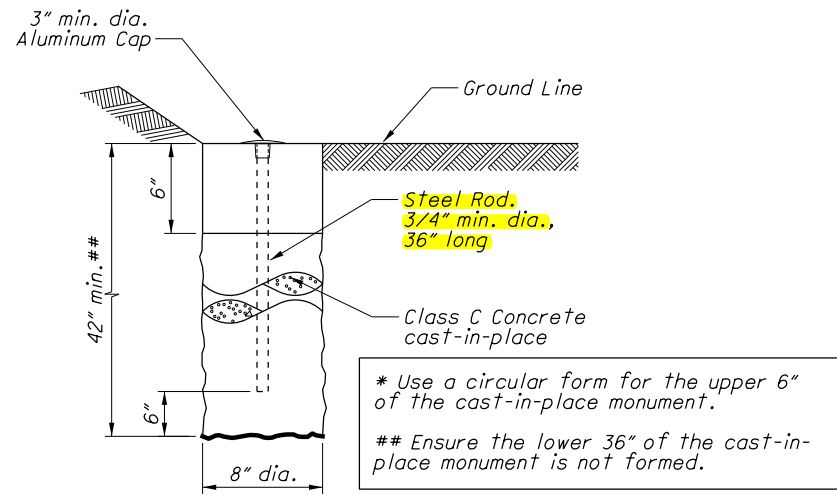
3" MIN. DIA.
ALUMINUM CAP
PLAN VIEW

+ Furnish a positional mark after monument is constructed. Ensure positional mark is either a Punch Mark or a Chisled X.

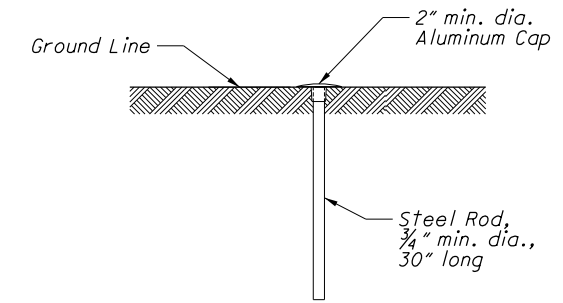


SIDE VIEW OF CAP

MONUMENT TYPE



TYPE A



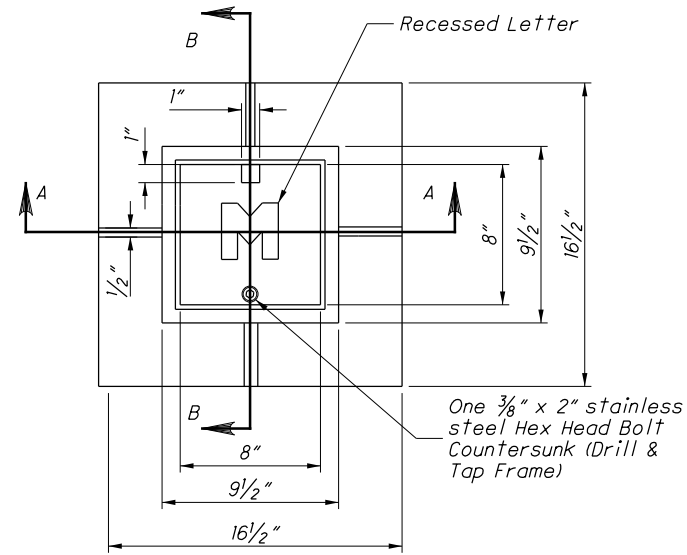
TYPE B

* Use a circular form for the upper 6" of the cast-in-place monument.
** Ensure the lower 36" of the cast-in-place monument is not formed.

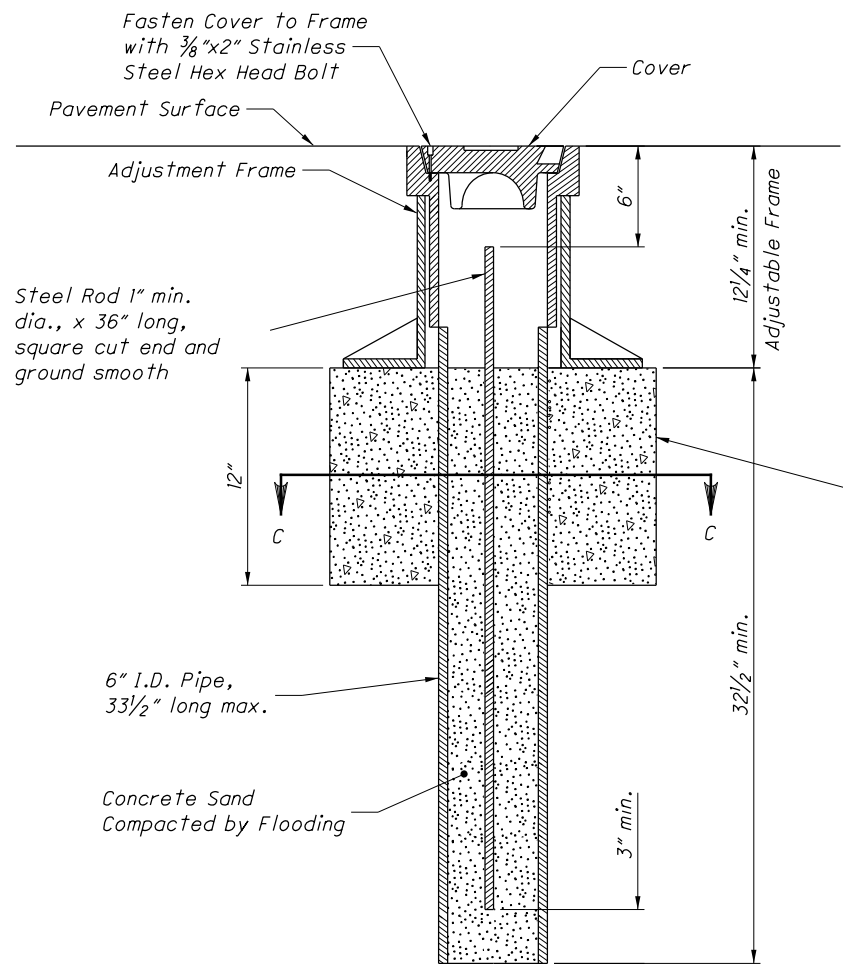
APPLICATION	MONUMENT TYPE	CAP DESIGN	PAY ITEM	DESCRIPTION
Right-of-Way	B	1	623	Right-of-Way Monument
	B	3	623	Right-of-Way Monument
E Parcels & Non-Right-of-Way	B	2	623	Right-of-Way Monument
	B	4	623	Right-of-Way Monument
Set on R/W Centerline	A	5	623	Reference Monument
	C	-	623	Monument Assembly
Offset from R/W Centerline	A	6	623	Reference Monument
	C	-	623	Monument Assembly

NOTES

- Monument Types A & B are typically set outside pavement areas.
- Monument Type C is typically set in pavement areas.
- Cap Designs 3 and 4 are to be installed when the Right-of-Way Monuments are disturbed, destroyed, and/or damaged by construction activities and are to be reset.
- Right-of-Way Monuments are typically set prior to construction and are expected to be protected during construction unless otherwise specified in the plans.
- During construction the contractor will install the Monument Assemblies and Reference Monuments at locations specified in the Right-of-Way plans.
- All Reference Monuments and Right-of-Way Monuments set and/or reset by the contractor's surveyor will include an aluminum cap according to this drawing.

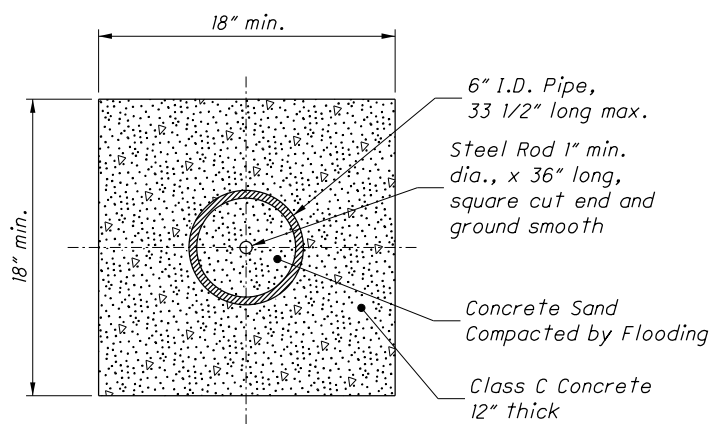


PLAN VIEW

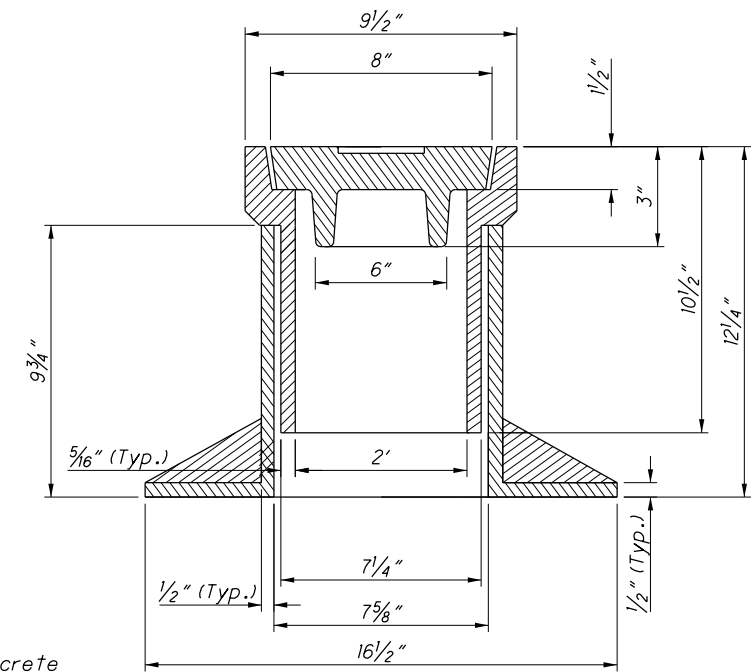


SIDE VIEW

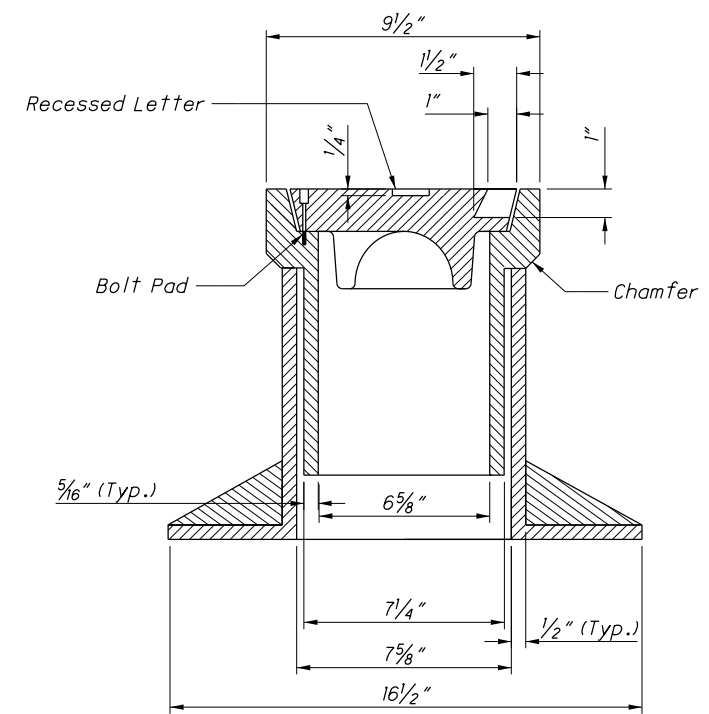
MONUMENT TYPE C



SECTION C-C



SECTION A-A



SECTION B-B

THIS DRAWING REPLACES RM-1.1 DATED 1-18-2013.

SD NUMBER
RM-1.1

STANDARD ROADWAY CONSTRUCTION DRAWING
ROADWAY MONUMENTS

OFFICE OF
**ROADWAY
ENGINEERING**

SDS
ENGINEER
M. Ruppe

STATE OF OHIO DEPARTMENT OF
TRANSPORTATION ADMINISTRATOR
Reynaldo Stargell

REVISION DATE
7-18-2014