

**Cummins Consulting Services**  
**4661 Marlberry Place, Lexington, KY 40509**  
**swcummins@windstream.net 859.361.2589**  
*"simplifying Data Collection since 2004"*

File Name : Britton\_Farms\_at\_Britton\_360787\_11-01-2016

Partly Sunny - 60 Degrees  
 Schools in Session

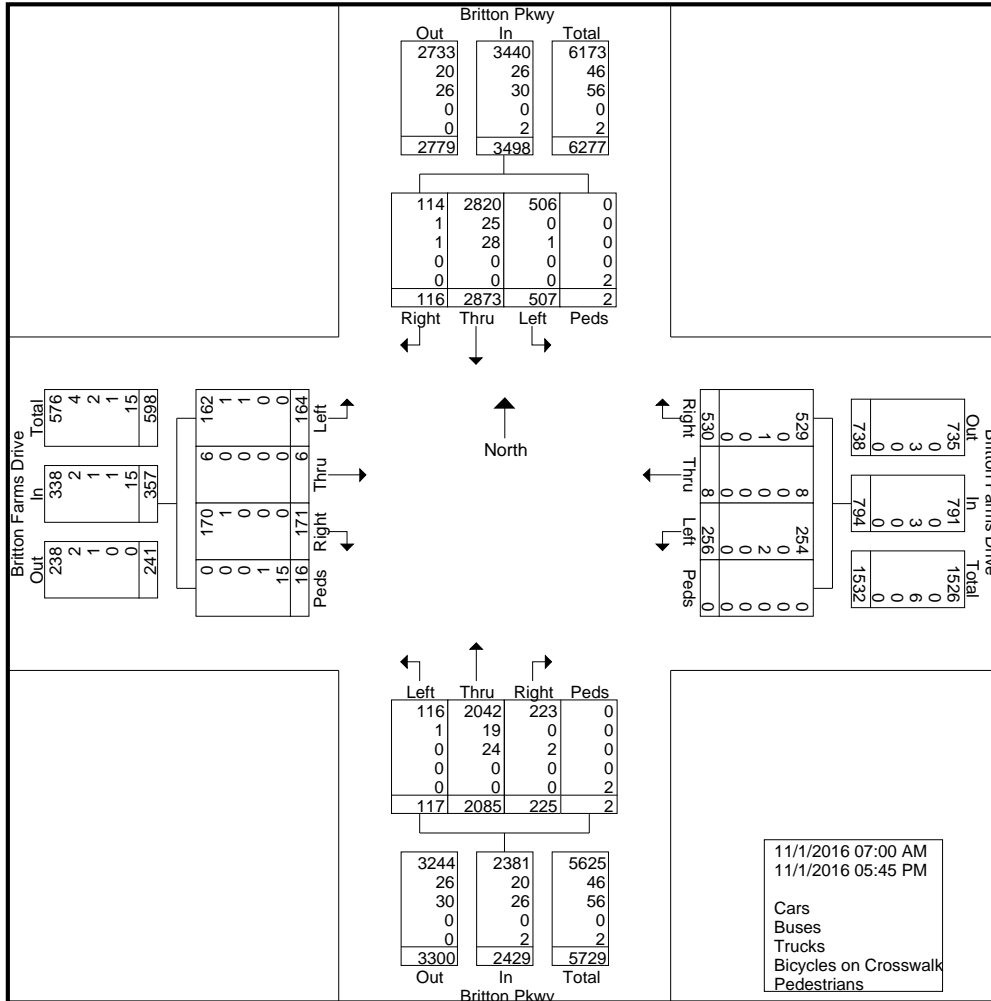
Site Code : Site 13  
 Start Date : 11/1/2016  
 Page No : 1

Groups Printed- Cars - Buses - Trucks - Bicycles on Crosswalk - Pedestrians

Start Time	Britton Pkwy From North					Britton Farms Drive From East					Britton Pkwy From South					Britton Farms Drive From West					Int. Total
	Left	Thru	Right	Peds	App. Total	Left	Thru	Right	Peds	App. Total	Left	Thru	Right	Peds	App. Total	Left	Thru	Right	Peds	App. Total	
07:00 AM	19	99	3	0	121	0	0	2	0	2	3	90	9	0	102	8	1	16	0	25	250
07:15 AM	29	113	2	0	144	0	0	2	0	2	1	109	24	0	134	13	1	13	1	28	308
07:30 AM	71	124	3	0	198	0	0	2	0	2	4	124	32	0	160	11	0	14	0	25	385
07:45 AM	97	115	2	0	214	3	0	3	0	6	2	131	48	2	183	13	2	17	0	32	435
Total	216	451	10	0	677	3	0	9	0	12	10	454	113	2	579	45	4	60	1	110	1378
08:00 AM	57	112	1	0	170	5	0	0	0	5	3	121	19	0	143	13	0	11	0	24	342
08:15 AM	62	89	4	0	155	0	0	2	0	2	1	106	29	0	136	15	0	12	2	29	322
08:30 AM	55	99	4	0	158	1	0	3	0	4	0	115	16	0	131	12	0	19	0	31	324
08:45 AM	58	106	3	0	167	0	0	7	0	7	4	129	27	0	160	8	0	11	1	20	354
Total	232	406	12	0	650	6	0	12	0	18	8	471	91	0	570	48	0	53	3	104	1342
03:00 PM	10	91	2	1	104	12	0	16	0	28	2	83	2	0	87	8	0	4	1	13	232
03:15 PM	4	90	4	0	98	10	0	18	0	28	14	62	1	0	77	4	0	6	1	11	214
03:30 PM	7	95	8	0	110	6	0	26	0	32	5	91	1	0	97	8	0	3	2	13	252
03:45 PM	6	86	3	0	95	9	2	25	0	36	9	71	3	0	83	2	0	6	1	9	223
Total	27	362	17	1	407	37	2	85	0	124	30	307	7	0	344	22	0	19	5	46	921
04:00 PM	5	137	8	0	150	18	3	40	0	61	5	100	3	0	108	7	0	4	0	11	330
04:15 PM	8	164	10	0	182	10	0	29	0	39	6	91	1	0	98	8	0	4	0	12	331
04:30 PM	0	215	9	0	224	34	0	68	0	102	6	107	0	0	113	6	1	2	0	9	448
04:45 PM	3	183	9	0	195	33	0	56	0	89	8	121	1	0	130	5	1	5	1	12	426
Total	16	699	36	0	751	95	3	193	0	291	25	419	5	0	449	26	2	15	1	44	1535
05:00 PM	2	228	4	1	235	51	1	95	0	147	14	100	6	0	120	6	0	5	2	13	515
05:15 PM	8	254	14	0	276	20	0	53	0	73	10	133	1	0	144	10	0	6	2	18	511
05:30 PM	3	233	13	0	249	28	1	60	0	89	13	93	2	0	108	2	0	10	1	13	459
05:45 PM	3	240	10	0	253	16	1	23	0	40	7	108	0	0	115	5	0	3	1	9	417
Total	16	955	41	1	1013	115	3	231	0	349	44	434	9	0	487	23	0	24	6	53	1902
Grand Total	507	2873	116	2	3498	256	8	530	0	794	117	2085	225	2	2429	164	6	171	16	357	7078
Apprch %	14.5	82.1	3.3	0.1		32.2	1	66.8	0		4.8	85.8	9.3	0.1		45.9	1.7	47.9	4.5		
Total %	7.2	40.6	1.6	0	49.4	3.6	0.1	7.5	0	11.2	1.7	29.5	3.2	0	34.3	2.3	0.1	2.4	0.2	5	
Cars	506	2820	114	0	3440	254	8	529	0	791	116	2042	223	0	2381	162	6	170	0	338	6950
% Cars	99.8	98.2	98.3	0	98.3	99.2	100	99.8	0	99.6	99.1	97.9	99.1	0	98	98.8	100	99.4	0	94.7	98.2
Buses	0	25	1	0	26	0	0	0	0	0	1	19	0	0	20	1	0	1	0	2	48
% Buses	0	0.9	0.9	0	0.7	0	0	0	0	0	0.9	0.9	0	0	0.8	0.6	0	0.6	0	0.6	0.7
Trucks	1	28	1	0	30	2	0	1	0	3	0	24	2	0	26	1	0	0	0	1	60
% Trucks	0.2	1	0.9	0	0.9	0.8	0	0.2	0	0.4	0	1.2	0.9	0	1.1	0.6	0	0	0	0.3	0.8
Bicycles on Crosswalk	0	0	0	0	0	0	0	0	0	0	0	0	0	0	0	0	0	0	1	1	1
% Bicycles on Crosswalk	0	0	0	0	0	0	0	0	0	0	0	0	0	0	0	0	0	0	6.2	0.3	0
Pedestrians	0	0	0	2	2	0	0	0	0	0	0	0	0	2	2	0	0	0	15	15	19
% Pedestrians	0	0	0	100	0.1	0	0	0	0	0	0	0	0	100	0.1	0	0	0	93.8	4.2	0.3

**Cummins Consulting Services**  
 4661 Marlberry Place, Lexington, KY 40509  
 swcummins@windstream.net 859.361.2589  
 "simplifying Data Collection since 2004"

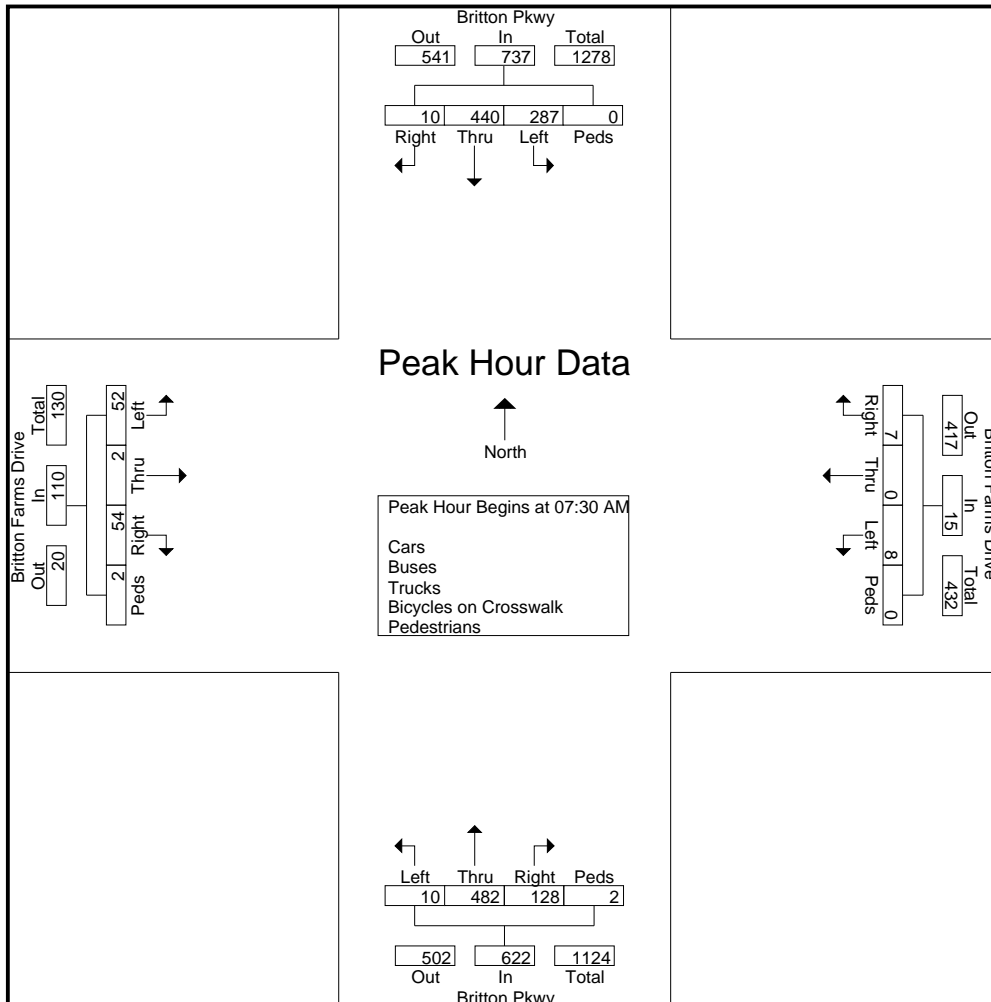
File Name : Britton\_Farms\_at\_Britton\_360787\_11-01-2016  
 Site Code : Site 13  
 Start Date : 11/1/2016  
 Page No : 2



**Cummins Consulting Services**  
 4661 Marlberry Place, Lexington, KY 40509  
 swcummins@windstream.net 859.361.2589  
 "simplifying Data Collection since 2004"

File Name : Britton\_Farms\_at\_Britton\_360787\_11-01-2016  
 Site Code : Site 13  
 Start Date : 11/1/2016  
 Page No : 3

Start Time	Britton Pkwy From North					Britton Farms Drive From East					Britton Pkwy From South					Britton Farms Drive From West					Int. Total
	Left	Thru	Right	Peds	App. Total	Left	Thru	Right	Peds	App. Total	Left	Thru	Right	Peds	App. Total	Left	Thru	Right	Peds	App. Total	
Peak Hour Analysis From 07:00 AM to 11:45 AM - Peak 1 of 1																					
Peak Hour for Entire Intersection Begins at 07:30 AM																					
07:30 AM	71	124	3	0	198	0	0	2	0	2	4	124	32	0	160	11	0	14	0	25	385
07:45 AM	97	115	2	0	214	3	0	3	0	6	2	131	48	2	183	13	2	17	0	32	435
08:00 AM	57	112	1	0	170	5	0	0	0	5	3	121	19	0	143	13	0	11	0	24	342
08:15 AM	62	89	4	0	155	0	0	2	0	2	1	106	29	0	136	15	0	12	2	29	322
Total Volume	287	440	10	0	737	8	0	7	0	15	10	482	128	2	622	52	2	54	2	110	1484
% App. Total	38.9	59.7	1.4	0		53.3	0	46.7	0		1.6	77.5	20.6	0.3		47.3	1.8	49.1	1.8		
PHF	.740	.887	.625	.000	.861	.400	.000	.583	.000	.625	.625	.920	.667	.250	.850	.867	.250	.794	.250	.859	.853



**Cummins Consulting Services**  
 4661 Marlberry Place, Lexington, KY 40509  
 swcummins@windstream.net 859.361.2589  
*"simplifying Data Collection since 2004"*

File Name : Britton\_Farms\_at\_Britton\_360787\_11-01-2016  
 Site Code : Site 13  
 Start Date : 11/1/2016  
 Page No : 4

Start Time	Britton Pkwy From North					Britton Farms Drive From East					Britton Pkwy From South					Britton Farms Drive From West					Int. Total
	Left	Thru	Right	Peds	App. Total	Left	Thru	Right	Peds	App. Total	Left	Thru	Right	Peds	App. Total	Left	Thru	Right	Peds	App. Total	
Peak Hour Analysis From 12:00 PM to 05:45 PM - Peak 1 of 1																					
Peak Hour for Entire Intersection Begins at 04:45 PM																					
04:45 PM	3	183	9	0	195	33	0	56	0	89	8	121	1	0	130	5	1	5	1	12	426
05:00 PM	2	228	4	1	235	51	1	95	0	147	14	100	6	0	120	6	0	5	2	13	515
05:15 PM	8	254	14	0	276	20	0	53	0	73	10	133	1	0	144	10	0	6	2	18	511
05:30 PM	3	233	13	0	249	28	1	60	0	89	13	93	2	0	108	2	0	10	1	13	459
Total Volume	16	898	40	1	955	132	2	264	0	398	45	447	10	0	502	23	1	26	6	56	1911
% App. Total	1.7	94	4.2	0.1		33.2	0.5	66.3	0		9	89	2	0		41.1	1.8	46.4	10.7		
PHF	.500	.884	.714	.250	.865	.647	.500	.695	.000	.677	.804	.840	.417	.000	.872	.575	.250	.650	.750	.778	.928

